



## T2000 Series STATIONARY



## DeMARCO INDUSTRIAL VACUUMS

The Portable **DeMARCO Vacuum T2000 Series** is precisely engineered and manufactured to the highest standards, therefore providing you with a level of unsurpassed quality, value and performance.

The T2000 Series is ideal for medium to heavy-duty wet/dry material volume applications that may require up to a 5" ID hose size with pick-up capacities up to 14 tons/hour. This design allows for batch or continuous dumping while maintaining hands-free filter cleaning for 24/7 hour operation. The T2000 Series may also be connected to a central manifold system with multiple pick-up point connections.

### YOUR SEARCH STOPS HERE™

DeMARCO Vacuums are purposely built for decades of heavy-duty use with our exclusive performance features that are virtually maintenance-free. From our heavy gauge steel fabrications, to our time tested quality components and expert machine craftsmen, we are confident to stand behind every vacuum system that carries the DeMARCO name worldwide by offering our exclusive **Limited LIFETIME Warranty - Nothing Less.**

## INDUSTRIES SERVED

### FOUNDRY

ALUMINUM  
BRONZE  
CARBON BLACK  
METAL  
ORES  
SAND CLAYS  
STEEL SHOT

### FOOD

FLOUR  
GRAIN  
SALT  
SUGAR

### MILLS

CHEMICALS  
SAWDUST  
PAPER  
PULP  
WOOD CHIPS

### MINING

ASPHALT  
BRICK  
CEMENT  
CONCRETE  
GRAVEL  
LIMESTONE  
MINERALS

### PLASTIC

FLAKES  
POWDER  
PELLETS  
RESINS

### POWER PLANT

COAL  
FLY ASH  
SLURRY

### MISC.

COATING  
GLASS  
SODA ASH  
POWDERS  
ETC.

## PERFORMANCE

Model	HP	Vacuum (”Hg) Rating*	CFM	Inlet ID Hose Size	Tons/ Hour**
2250	25	16”	660	3”	5
2300	30	16”	790	3-1/2”	8
2400	40	16”	950	4”	10
2500	50	16”	1150	5”	14

Above performances are approximate ratings under STP.

\* Vacuum capabilities up to 27” Hg available on select models.

\*\* Actual values may differ based upon distance from blower and material characteristics such as bulk density, particle size and operator’s efficiency.

- Exclusive Long Lasting Custom Design
- Washable and Reusable
- High Burst Strength with Dimensional Stability
- Dimpled, Non-Clogging Open Pleat Design
- Handles Ultra-Fine Powders
- Abrasion and Chemical Resistant
- Efficiencies up to 99.99% @ 0.2 Microns & Above
- Interval Air-Pulse Cleaning for Uninterrupted Vacuuming. No Manual Filter Shaking Required
- Secondary In-line or HEPA Filters Available
- Various Filter Medias Available
- Filter Performance Guarantee

\* Minimum 80 PSI Compressed Air Required for Filter Pulse Cleaning During Vacuuming.

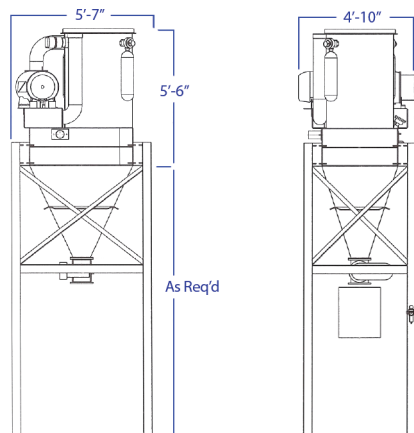


## DIMENSIONS & SPECIFICATIONS

### Stationary Options

- Ground Mounted Drive Package
- Service Platform with Railing and Access Ladder
- Direct Drum or Bulk Sack Loader
- Hopper Dust Shroud
- Custom Designed Manifold
- Turnkey Installed

- Stationary dimensions to be confirmed upon shop drawings.
- Custom dimensions available upon request.
- HEPA filter option may add to overall height.



### Material Discharge Options

- Standard Counter Weighted Dump Gate
- Manual or Auto Butterfly Valve
- Continuous Rotary Air-Lock Discharge Gate
- Manual or Auto Slide Gate
- Manual or Auto Knife Gate
- Pinch Valve

- Others Upon Request

## FEATURES & BENEFITS

### Patented Features

- DeMARCO Material Offset Separation Circuit Provides Minimal Carryover to the Filtration Chamber Maximizing Filter Performance.
- Exclusive Line of Cyclone Separators
- DeMARCO Silencer Base® Muffler
  - Low dBA Rating
  - Compact and Esthetic Design
  - Solid Support Structure for the Drive Package
  - Fork Tine Openings for Vacuum Mobility

### Control Panel

- NEMA 4 or 4X Enclosures
- 480V/3PH/60HZ or as Required
- Start/Stop Push-Buttons
- Material High Level Detector with Auto Shutdown
- Differential Pressure Switch for Filter Protection
- Magnehelic and Vacuum Gauges
- Vacuum Pump High Temperature Protection Circuit
- Engineered Electrical Drawings Included
- UL Approved
- **Options:**
  - NEMA 7/9 X-Proof Packages
  - 12V DC Panel
  - PLC Touch Screen Terminal

### Drive Package

- High Performance Positive Displacement Vacuum Pumps
- Continuous 24/7 Operation
- Up to 27" Hg (Mercury) Available
- High Energy Efficient Electric Motors
- V-Belt or Direct Drive

### Hopper and Structural Stand

- Material Collection Hoppers up to 27 Cubic Ft. or as Required
- Heavy-Duty Structural Support Stand with Base Plates for Anchor Bolting
- Hopper Access Door for Maintenance and Inspection
- Optional Adjustable Leg Extensions

### Custom Engineered Vacuums

Our full service custom engineering department is dedicated to provide customer focused solutions for your toughest applications.